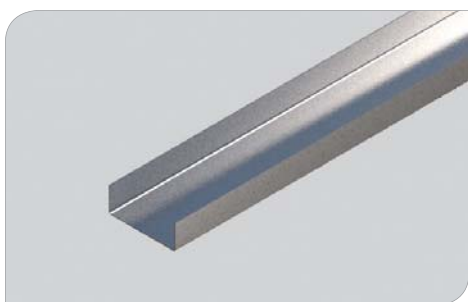


# **VORTEX ANTI-TENSION WALL SYSTEM**

# Vortex Anti-Tension Wall System



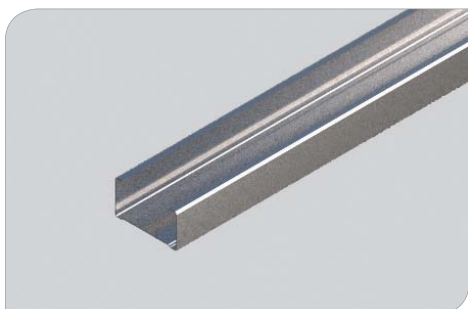
Part No.	SEGMENTED REBATE TRACK	Length (mm)	Sub Pack	Stock Pack
SRT6475-30	Vortex Segmented Rebate Track 64 x 0.75 BMT	3000	10	100
SRT9275-30	Vortex Segmented Rebate Track 92 x 0.75 BMT	3000	10	100



Part No.	BOTTOM TRACK	Length (mm)	Sub Pack	Stock Pack
T6455H-30	Bottom Track 64 x 0.50 BMT	3000	10	100
T9255H-30	Bottom Track 92 x 0.55 BMT	3000	10	100
T6475H-30	Bottom Track 64 x 0.75 BMT	3000	10	100
T9275H-30	Bottom Track 92 x 0.75 BMT	3000	10	100



Part No.	STUD ISOLATION CLIP	Sub Pack	Stock Pack
M120	Vortex Stud Isolation Clip	10	100



Part No.	WALL STUD 0.50MM BMT	Length (mm)	Sub Pack	Stock Pack
S6450-24	Stud 64mm x 0.50 BMT	2400	10	100
S6450-27	Stud 64mm x 0.50 BMT	2700	10	100
S6450-275	Stud 64mm x 0.50 BMT #	2750	10	100
S6450-280	Stud 64mm x 0.50 BMT	2800	10	100
S6450-30	Stud 64mm x 0.50 BMT	3000	10	100
S6450-33	Stud 64mm x 0.50 BMT	3300	10	100
S6450-36	Stud 64mm x 0.50 BMT	3600	10	100
S6450-42	Stud 64mm x 0.50 BMT	4200	10	100

Part No.	STEEL WALL STUD 0.55MM BMT	Length (mm)	Sub Pack	Stock Pack
S9255-24	Stud 92 x 0.55 BMT	2400	10	100
S9255-27	Stud 92 x 0.55 BMT	2700	10	100
S9255-275	Stud 92 x 0.55 BMT	2750	10	100
S9255-30	Stud 92 x 0.55 BMT	3000	10	100
S9255-33	Stud 92 x 0.55 BMT	3300	10	100
S9255-36	Stud 92 x 0.55 BMT	3600	10	100
S9255-42	Stud 92 x 0.55 BMT	4200	10	100
S9255-48	Stud 92 x 0.55 BMT	4800	10	100

SBS Direct Vortex System requires two clips per stud & anywhere metal to metal touching occurs in the top track. SBS Direct recommends ordering two clips per stud plus an additional 15% to cover other occurrences.

VORTEX ANTI-TENSION WALL SYSTEM